

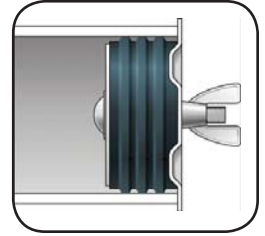


Econ-O-Grip® Plug Features:

- Cost-effective method for plugging open ended pipe
- Works well as a pipe dust cover

Equipped with:

- Galvanized metal plates and bolts
- Natural rubber o-ring



Petro Econ-O-Grip® Plug Features:

- Cost-effective, chemical-resistant plug
- Works well as a pipe dust cover

Equipped with:

- Stainless steel Bolt and Plate
- Chemical-resistant nitrile rubber

NEW DESIGN



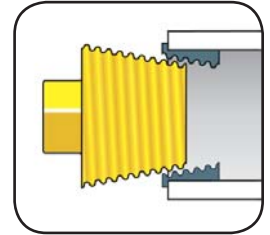
Sure-Grip® Plug Features:

- Polypropylene construction
- Fits all types of pipe at nominal sizes
- Permanent or temporary use

Equipped with:

- Natural rubber o-ring
- Can be tapped for use with cleanout cover

NEW DESIGN

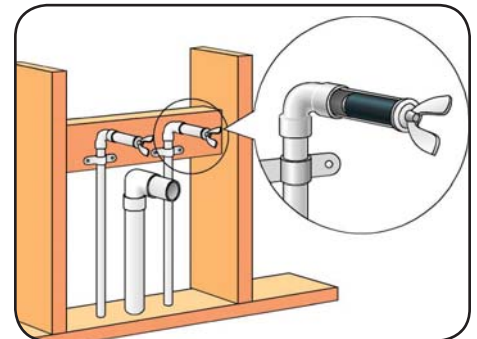


Kwik 'N Sure® Plug Features:

- Works in all types of pipe
- Ideal for plugging water line stub-outs
- Designed for high pressure applications

Equipped with:

- Natural rubber o-ring
- Wing nut on the .39"-1.25" sizes
- Hex nut on the 1.5"-5" sizes



Part #	Nominal Size	Size Usage Range		Maximum Allowable Back Pressure		Product Specifications		
		Minimum Diameter	Maximum Diameter	Air Pressure PSI*	Head Pressure (Feet of Head)	Product Length	Product Weight	Carton Quantity
Econ-O-Grip® Plugs								
271519	1.5" (40 mm)	1.44" (37 mm)	1.65" (42 mm)	2.0 (0,14 bar)	5 (1.4 M)	2.56" (65 mm)	3.5 oz (.1 kg)	10
271527	2" (50 mm)	1.96" (50 mm)	2.25" (57 mm)	2.0 (0,14 bar)	5 (1.4 M)	2.62" (67 mm)	5 oz (.14 kg)	10
271535	3" (75 mm)	2.86" (73 mm)	3.25" (82 mm)	2.0 (0,14 bar)	5 (1.4 M)	2.64" (67 mm)	8.5 oz (.24 kg)	10
271543	4" (100 mm)	3.78" (96 mm)	4.5" (114 mm)	2.0 (0,14 bar)	5 (1.4 M)	3.25" (82 mm)	12.48 oz (.35 kg)	10
271551	5" (125 mm)	4.62" (117 mm)	5.3" (135 mm)	1 (0,07 bar)	2 (.7 M)	3.55" (90 mm)	1.1 lbs (.5 kg)	5
271578	6" (150 mm)	5.62" (143 mm)	6.4" (162 mm)	1 (0,07 bar)	2 (.7 M)	3.19" (81 mm)	1.6 lbs (.7 kg)	5
Petro Econ-O-Grip®								
273318	1.5" (40 mm)	1.44" (37 mm)	1.75" (44 mm)	2.0 (0,14 bar)	5 (1.4 M)	2.56" (65 mm)	3.5 oz (.1 kg)	10
273328	2" (50 mm)	1.96" (50 mm)	2.25" (57 mm)	2.0 (0,14 bar)	5 (1.4 M)	2.62" (67 mm)	5 oz (.14 kg)	10
273338	3" (75 mm)	2.86" (73 mm)	3.25" (82 mm)	2.0 (0,14 bar)	5 (1.4 M)	2.64" (67 mm)	8.5 oz (.24 kg)	10
273348	4" (100 mm)	3.78" (96 mm)	4.3" (109 mm)	2.0 (0,14 bar)	5 (1.4 M)	3.25" (82 mm)	12.48 oz (.35 kg)	10
273358	5" (125 mm)	4.62" (117 mm)	5.3" (135 mm)	1 (0,07 bar)	2 (.7 M)	3.55" (90 mm)	1.1 lbs (.5 kg)	5
273368	6" (150 mm)	5.62" (143 mm)	6.3" (160 mm)	1 (0,07 bar)	2 (.7 M)	3.19" (81 mm)	1.6 lbs (.7 kg)	5
Sure-Grip® Plugs								
271158	1.5" (40 mm)	1.48" (40 mm)	1.63" (42 mm)	22 (1,5 bar)	50 (15 M)	2.5" (64 mm)	1.6 lbs (.05 kg)	10
271208	2" (50 mm)	1.89" (48 mm)	2.09" (53 mm)	22 (1,5 bar)	50 (15 M)	3" (75 mm)	2.4 oz (.07 kg)	10
271308	3" (75 mm)	2.89" (73 mm)	3.09" (79 mm)	13 (0,9 bar)	30 (9 M)	3.7" (94 mm)	4.9 oz (.14 kg)	10
271408	4" (100 mm)	3.87" (98 mm)	4.09" (103 mm)	13 (0,9 bar)	30 (9 M)	3.5" (87 mm)	6.8 oz (.19 kg)	10
Kwik 'N Sure™ Plugs								
269832	.39" (10 mm)	.38" (10 mm)	.43" (11 mm)	185 (12,8 bar)	428 (128 M)	.38" (10 mm)	1.87" (48 mm)	1 oz (.03 kg)
269840	.5" (13 mm)	.5" (13 mm)	.56" (14 mm)	180 (12,4 bar)	415 (124 M)	.49" (12 mm)	1.87" (48 mm)	1.5 oz (.04 kg)
269867	.75" (20 mm)	.72" (18 mm)	.87" (22 mm)	180 (12,4 bar)	415 (124 M)	.7" (18 mm)	2.06" (52 mm)	1.6 oz (.05 kg)
269875	1" (25 mm)	.86" (22 mm)	1.02" (26 mm)	40 (2,8 bar)	92 (28 M)	.84" (21 mm)	2.18" (55 mm)	1.9 oz (.05 kg)
269883	1.25" (32 mm)	1.24" (32 mm)	1.43" (36 mm)	112 (7,7 bar)	258 (77 M)	1.22" (31 mm)	2.06" (52 mm)	3 oz (.07 kg)
269891	1.5" (40 mm)	1.43" (36 mm)	1.53" (39 mm)	88 (6,1 bar)	203 (62 M)	1.41" (36 mm)	1.87" (48 mm)	3.4 oz (.08 kg)
269905	2" (50 mm)	1.73" (44 mm)	2.06" (52 mm)	112 (7,7 bar)	258 (77 M)	1.71" (43 mm)	2.63" (67 mm)	7 oz (.2 kg)
269913	2.5" (60 mm)	2.3" (58 mm)	2.78" (71 mm)	72 (4,9 bar)	166 (51 M)	2.28" (58 mm)	2.75" (70 mm)	12 oz (.3 kg)
269921	3" (75 mm)	2.73" (69 mm)	3.2" (81 mm)	28 (1,9 bar)	65 (19 M)	2.71" (69 mm)	3.12" (79 mm)	1.5 lbs (.68 kg)
269948	4" (100 mm)	3.72" (95 mm)	4.5" (114 mm)	24 (1,7 bar)	55 (17 M)	3.7" (94 mm)	3.12" (79 mm)	2.6 lbs (1.2 kg)
269956	5" (125 mm)	4.8" (122 mm)	5.19" (132 mm)	8 (0,6 bar)	18 (6 M)	4.78" (121 mm)	3.25" (82 mm)	2.25 lbs (1 kg)

* Always block plugs when conducting air tests!