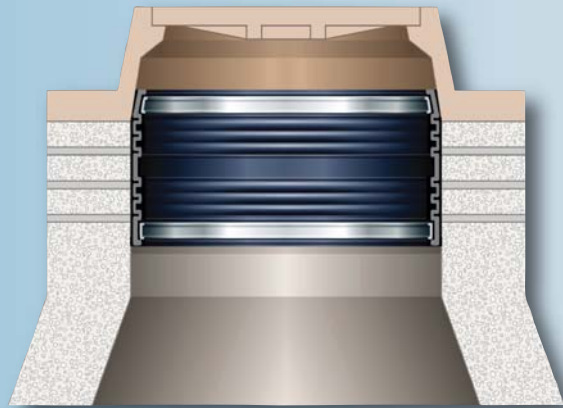


Drain Flexrib Manhole Chimney Seal

**Eliminates
Inflow & Infiltration**

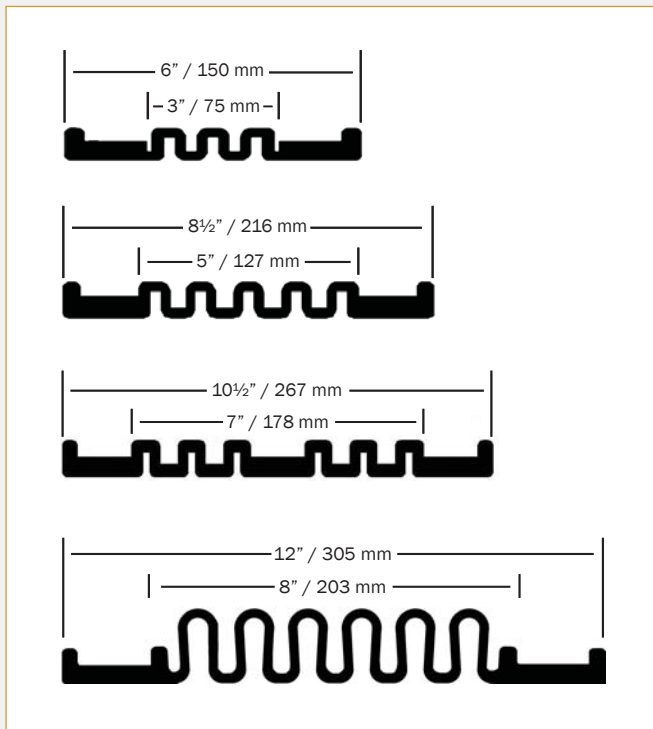


The grade adjustment area of the manhole is the first to suffer deterioration caused by freeze/thaw cycles, traffic loading, thermal expansion and contraction of the surrounding pavement and other external forces.



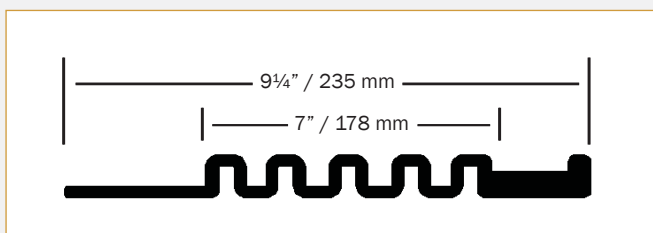
- Creates a watertight seal between the frame casting and top of the manhole cone
- Allows the Seals to move vertically and/or laterally while maintaining a watertight seal
- Made from a premium quality rubber compound and available in four widths.
- Patented Waveband technology creates a more effective seal by concentrating the compressive force of the expansion band. The rubber is “captured” between the band and the concrete.

AVAILABLE WIDTHS:

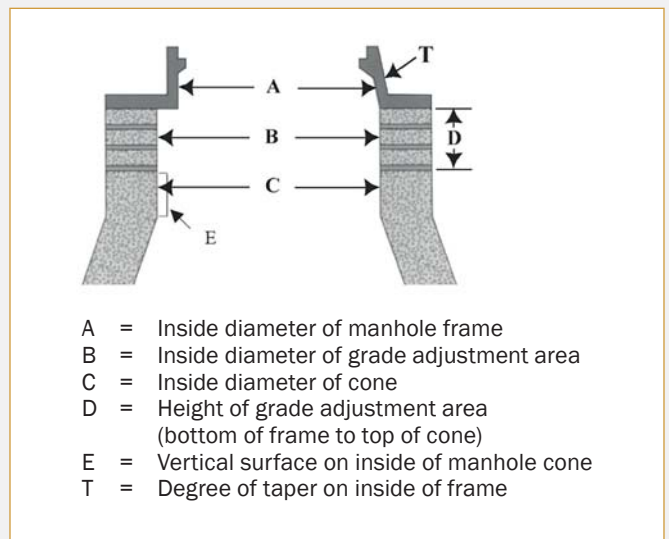


FLEXRIB EXTENSION:

When the adjustment area of the manhole exceeds the range of the available FlexRib Seals, a FlexRib extension may be added to provide an additional 8" / 203 mm coverage.



INFORMATION NEEDED TO ORDER:



INSTALLATION TOOLS:

MANUAL INSTALLATION TOOL:

Works with a 1" socket or open ended wrench.
 Compress seal to 125 N (28 ft. lbs.)
 P/N 92003



HYDRAULIC INSTALLATION TOOL:

Force balanced heavy-duty construction develops 1 1/2 tons of force.
 Compress seal to 310-345 bar (4500-5000 psi)
 P/N 91893



PrimeLine Products, Inc.

"Your Prime Source for Solutions, Products, and Training"

311 Altamonte Commerce Blvd #1608

Altamonte Springs, FL 32714

Office: 407-772-8131 Cell: 321-439-8306

Email: Paul@PrimeLineProducts.com Web: www.PrimeLineProducts.com

WWW.TRELLEBORG.COM/PIPE-SEALS